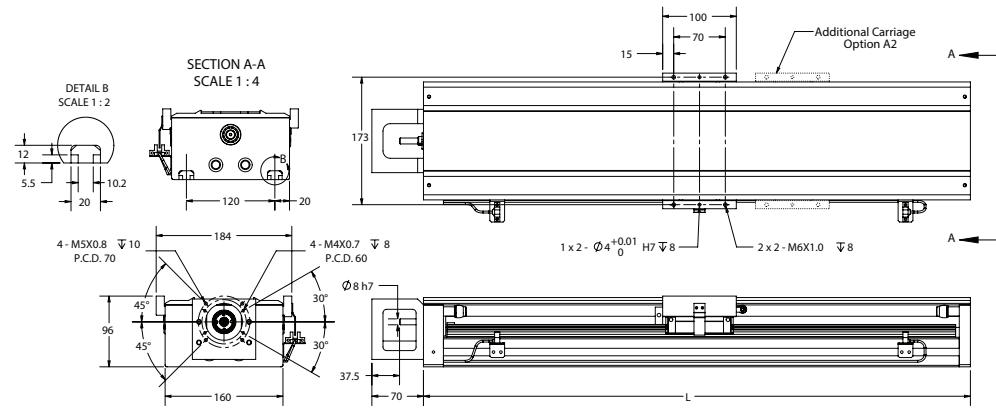
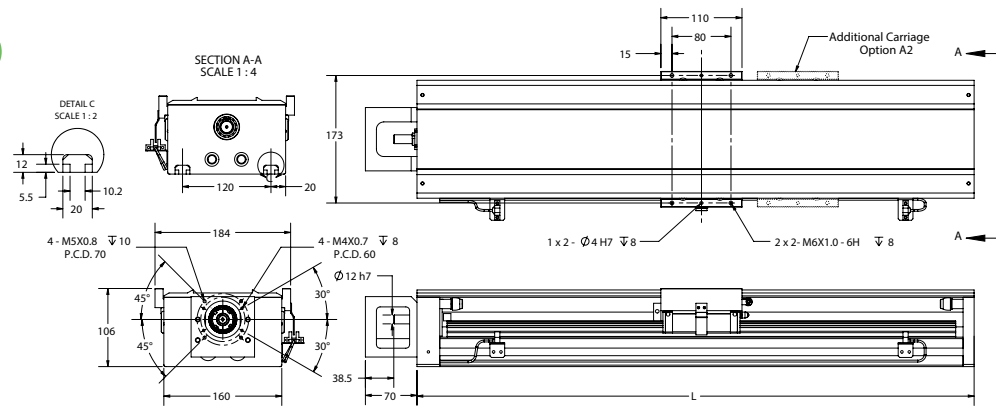


SDXK15



Effective Stroke	Length	Ballscrew									
		Recommended Payload kg (Horizontal Orientation)*1			Recommended Payload kg (Vertical Orientation)*1			Repeatability (µm)*2	Linear Speed (mm/s)		
		5mm Lead	10mm Lead	16mm Lead	5 mm Lead	10 mm Lead	16 mm Lead		5 mm Lead	10 mm Lead	16 mm Lead
100	326								250	500	800
200	426								250	500	800
300	526								250	500	800
400	626								250	500	800
500	726								250	500	800
600	826								220	450	750
700	926	42	41	48	10	10	12	±5	170	375	600
800	1026								140	300	490
900	1126								115	250	400
1000	1226								95	210	340
1500	1726								50	105	175
2000	2226								30	60	100
2500	2726								20	40	70

SDXK20



Effective Stroke	Length	Ballscrew									
		Recommended Payload kg (Horizontal Orientation)*1			Recommended Payload kg (Vertical Orientation)*1			Repeatability (µm)*2	Linear Speed (mm/s)		
		5mm Lead	10mm Lead	16mm Lead	5 mm Lead	10 mm Lead	16 mm Lead		5 mm Lead	10 mm Lead	16 mm Lead
100	340								250	500	1000
200	440								250	500	1000
300	540								250	500	1000
400	640								250	500	1000
500	740								250	500	1000
600	840								250	500	1000
700	940	49	47	64	12	12	16	±5	245	470	1000
800	1040								200	380	820
900	1140								165	315	680
1000	1240								140	265	570
1500	1740								70	135	285
2000	2240								40	80	170
2500	2740								25	50	115

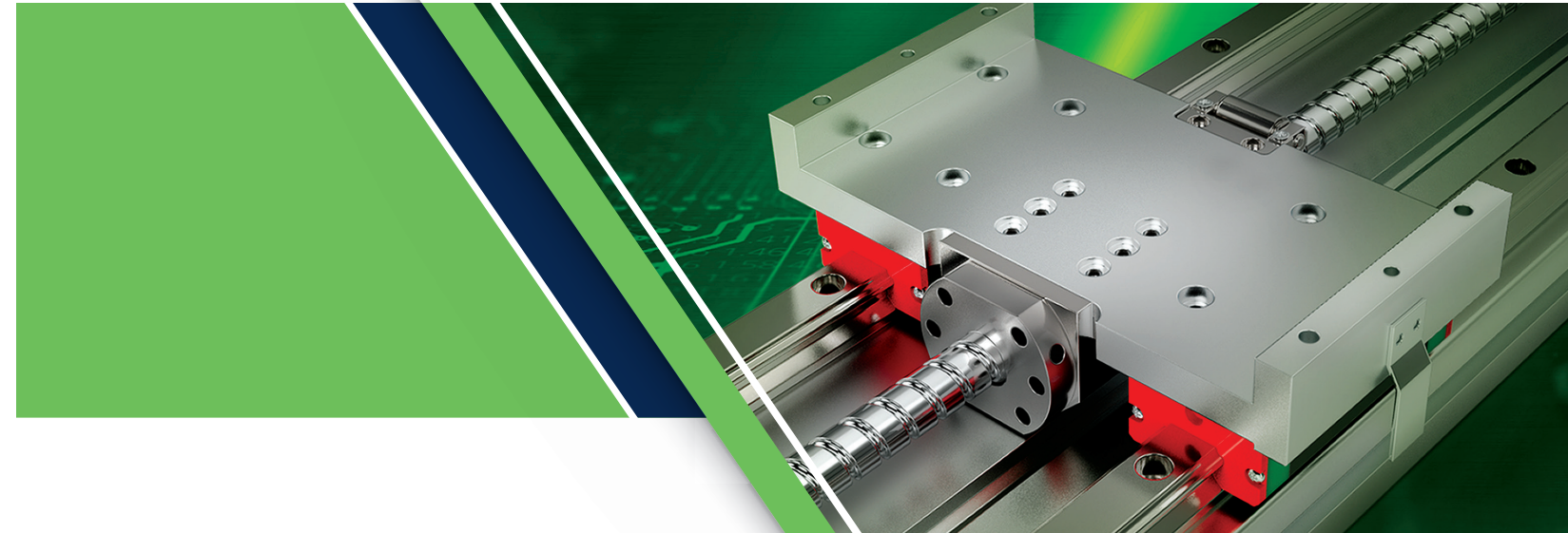
*1 Based on 2.5m/s² of acceleration and 10,000km of life

*2 The values listed are for uni-directional repeatability and were tested under controlled conditions



www.hiwin.us | 12455 Jim Dhamer Drive | Huntley, IL 60142 | info@hiwin.com | (877) 804.4946

© 2021 HIWIN Corporation, a division of HIWIN Technologies Corp. | HIWIN® is a registered trademark of HIWIN Technologies Corp. Actual product may differ from the specifications and photos within. Specifications are subject to change without notice.



SDXK: Ballscrew Stage

- Built in the USA of parts from Taiwan and elsewhere
- High precision rolled ballscrews
- Various lead options
- Compatible with Servo and Stepper motors
- Parallel motor mount option
- Additional carriage option for heavy or offset payloads

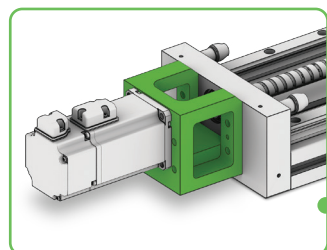


SDXK: Ballscrew Stage

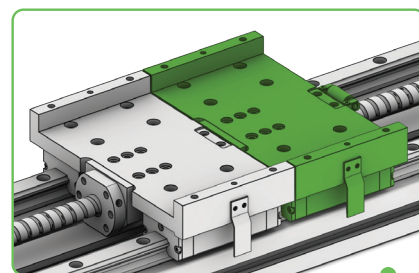
MOTOR OPTIONS

Servo Motors – HIWIN offers incremental and absolute AC Servo motors with a drive capable of various protocols including ETHERCAT. By ordering the Servo motor and drive with the stage, the SDXK becomes an all-in-one solution

Stepper Motors – Stepper motors offer a lower cost, open loop option for driving a ballscrew stage. The SDXK is compatible with NEMA⁴ 23 and NEMA 34 stepper motors with standard adapter flanges.



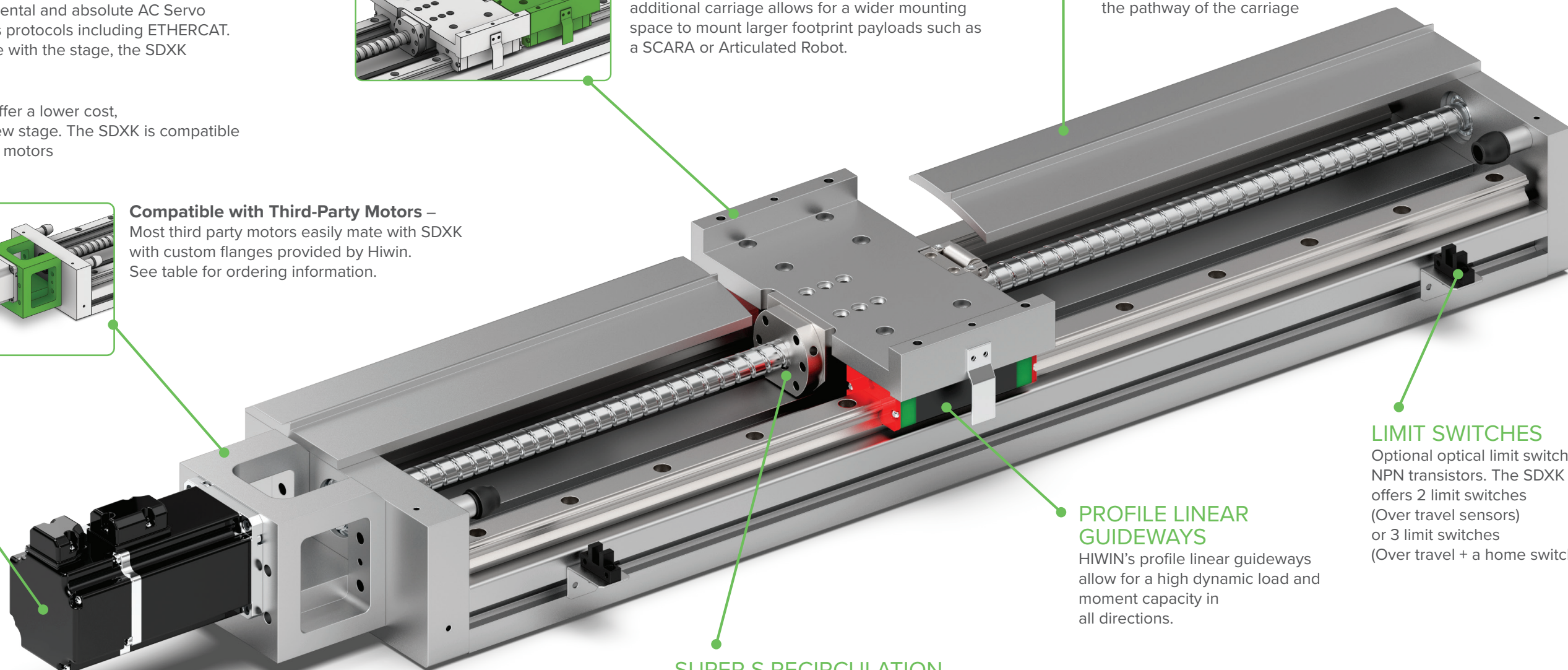
Compatible with Third-Party Motors – Most third party motors easily mate with SDXK with custom flanges provided by Hiwin. See table for ordering information.



ADDITIONAL CARRIAGE OPTION
For high offset applications, the SDXK can offer an additional guided carriage to increase the load and moment rating of the guideways. The additional carriage allows for a wider mounting space to mount larger footprint payloads such as a SCARA or Articulated Robot.

ALUMINUM COVER

The SDXK comes standard with a lightweight aluminum cover that helps prevent unwanted debris from falling in the pathway of the carriage



PROFILE LINEAR GUIDEWAYS

HIWIN's profile linear guideways allow for a high dynamic load and moment capacity in all directions.

LIMIT SWITCHES

Optional optical limit switches NPN transistors. The SDXK offers 2 limit switches (Over travel sensors) or 3 limit switches (Over travel + a home switch)

SUPER S RECIRCULATION

The Super S recirculation is HIWIN's best standard recirculation which minimizes the deflection angle and allows for higher speeds and accelerations

Motor	² Motor Flange	³ Part Code
AC Servo 50W	F3	M051 / K051
AC Servo 100W	F3	M101 / K101
AC Servo 200W	F0	M201 / K201
AC Servo 400W	F0	M401 / K401
AC Servo 750W	F1	M751 / K751
NEMA 23	F6	S230
NEMA 34	F2	S340

Made with Hiwin's linear guideway and ballscrew technology, design engineers save design and assembly time with SDXK linear motion stages.

HIWIN

⁴ National Electrical Manufacturers Association

Ordering Info¹

SDXK 15 10 - 00 A1 F0 C 1 M401 + EL/01

Screw Driven Stage	Series	Ballscrew Lead	Stroke	Number of Carriages	Motor Flange	Cover	Limits	Motor ³	
SDXK	15 20	Series 15: 5, 10, 16 Series 20: 5, 10, 20	100mm to 2500mm (increments of 100mm)	Single carriage: A1 Dual carriage: A2	F0: Standard FX: See Table Choices ² FE: Custom 00: No Motor Flange	C: With Cover (Standard) 0: Without Cover	1: Two (2) Optical Limit Switches (Overtravel) 2: Three (3) Optical Limit Switches (Overtravel w/ Home) 0: No (0) Limit Switches	Mxxx: Servo Motor Kxxx: Servo Motor w/brake Sxxx: Stepper Motor 0000: No motor	+00: None (standard) +xx: Accessories /Custom Code

¹For custom configurations contact HIWIN for details and specifications